

# Isolé IDP-3050 Power Strip with Personal Sensor

Energy-saving control system for desktop plug load equipment

Six outlets are controlled by occupancy; two outlets are uncontrolled

Eight-outlet power strip with surge protection

Personal sensor signals controlled equipment on and off based on occupancy



PROJECT

LOCATION/TYPE

## Product Overview

### Description

The Isolé IDP-3050 is an energy-saving control system that provides maximum surge and noise suppression while keeping plug load equipment off when there is no occupancy. It consists of an eight outlet power strip and a personal occupancy sensor.

### Operation

The IDP-3050 turns plug load devices on and off based on occupancy. The personal sensor connects to the eight-outlet power strip with the attached cable. The power strip contains six outlets controlled by occupancy and two outlets that are uncontrolled. The IDP-3050 automatically turns all controlled devices on when the workspace is occupied, and off when the workspace has been unoccupied for the user-defined time delay. Uncontrolled devices remain on regardless of occupancy.

### Surge Suppression

The power strip provides a high degree of surge suppression that protects connected equipment against threats like power surges, lightning strikes and voltage spikes. It features a resettable circuit breaker and two LEDs that indicate that the outlet is wired and grounded properly and the surge protection is functioning.

### Application

The IDP-3050 is ideal for controlling task lighting and computer monitors. Additional devices for the controlled outlets include space heaters, fans and other equipment that can be turned off during unoccupied periods. Devices such as CPUs and fax machines should be plugged into the uncontrolled outlets. Applications include workstations, open office cubicles, offices and engineering stations.

## Features

### Power Strip

- Eight outlets; six controlled, two uncontrolled
- Surge and noise suppression protects desktop equipment
- Ground protected for safety; will not operate without a grounded outlet
- Two LEDs to indicate: 1) correct wiring and grounding; 2) surge protection is functioning
- Installation requires no hardwiring
- Flat offset plug for wire management
- One uncontrolled outlet and one controlled outlet are wall-transfer-enabled
- Plugs into a standard three-prong outlet

### Personal Sensor

- Uses latest passive infrared (PIR) technology to detect occupancy
- User-adjustable time delay of 30 seconds to 30 minutes
- Multilevel Fresnel lens for superior occupancy detection
- 120° coverage up to 300 square feet
- ASIC technology reduces components and enhances reliability
- Instantaneous response time



# Specifications

## Power Strip:

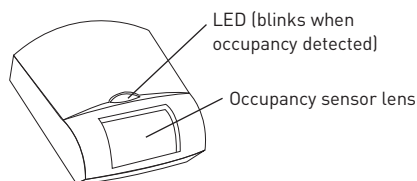
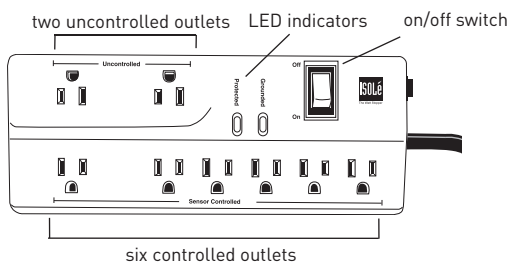
- Electrical rating: 120VAC, 12A, 50/60 Hz
- 12A dry contact relay
- Six-foot black cord
- Transformer provides power to sensor
- Mounts with screws or double-sided tape
- UL 1449 rating; 400V
- Circuit: High-energy, multistage hybrid
- Noise filtration 0-25db (94.38%)
- Joule rating: 740 joules
- Maximum surge amperage: 48,000 Amps
- Protection modes: 400V L-N, 400V L-G, 400V N-G
- Response time: instantaneous
- Let-through voltage: 140V
- Initial clamping voltage: 200V
- UL and CUL listed; five-year warranty

## Personal Sensor:

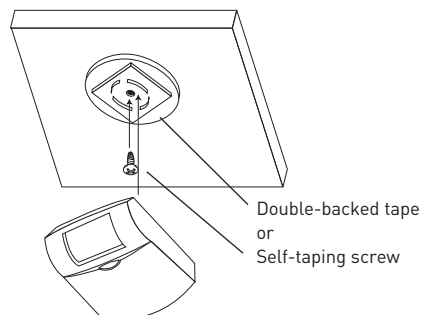
- Nine-foot connector cable
- Supply voltage: 12 VDC
- UL and CUL listed; five-year warranty

## Controls & Mounting

### Product Controls



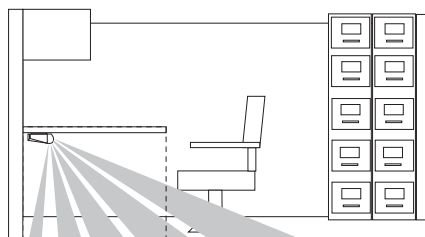
### Personal Sensor Mounting



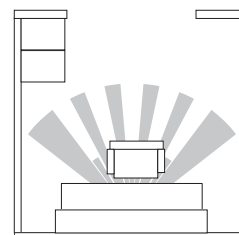
Sensor mounts under desk or binder bin with double-sided tape or self-taping screw

## Coverage

### Side Coverage



### Overhead Coverage



## Ordering Information

| Catalog No.                         | Description  |
|-------------------------------------|--|
| <input type="checkbox"/> IDP-3050-A | Eight-outlet power strip with personal sensor  |
| <input type="checkbox"/> DI-110     | Auto-on personal sensor  |
| <input type="checkbox"/> CK1-1      | 20' extension cable w/single 1-1 connector (for single sensor and power strip)             |
| <input type="checkbox"/> CK1-2      | Two 10' extension cables w/duplex 1-2 connector (for multiple sensors and/or power strips) |

Products are dark grey

Pub. No. 11905